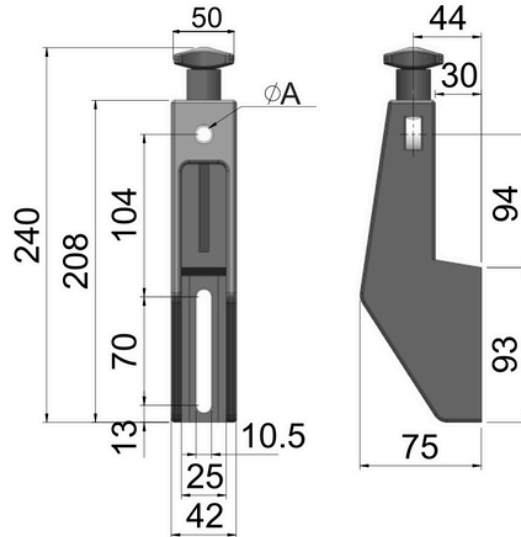




EYE BOLT BRACKET - BIG



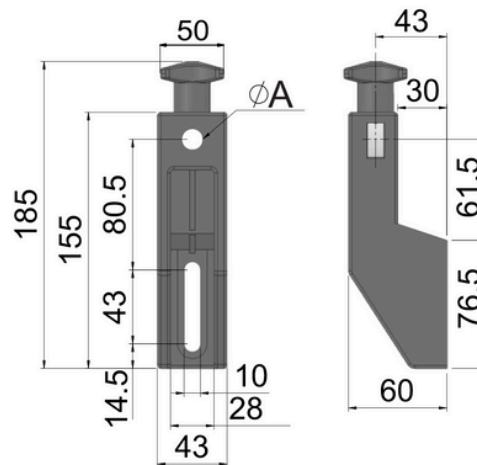
GUIDE ROD ϕA - $\phi 12$ / $\phi 14$ / $\phi 16$
PART NO . SB-KB-240
Material - Reinforced polyamide
Hardware - Stainless steel



EYE BOLT BRACKET - SMALL



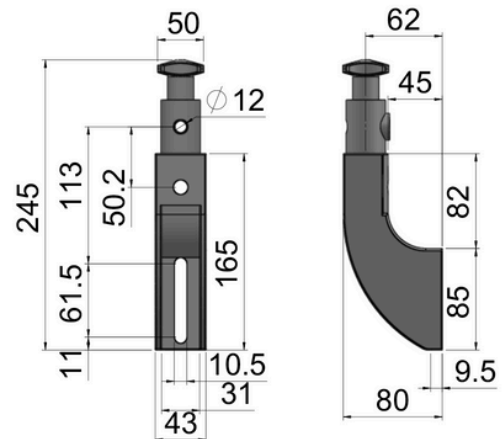
GUIDE ROD ϕA - $\phi 12$ / $\phi 14$ / $\phi 16$
PART NO . SB-KB-180
Material - Reinforced polyamide
Hardware - Stainless steel



SWIVEL BRACKET



PART NO . SB-ST-250
Material - Reinforced polyamide
Hardware - Stainless steel

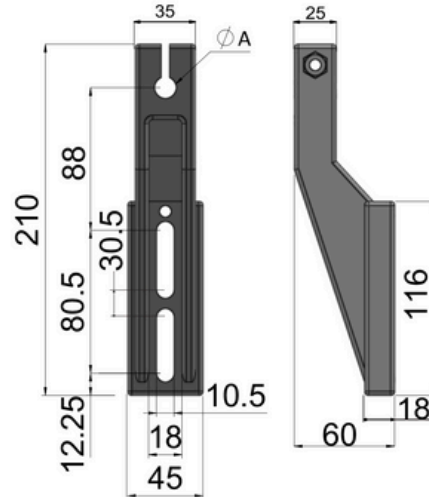




ALLEN BOLT BRACKET - BIG



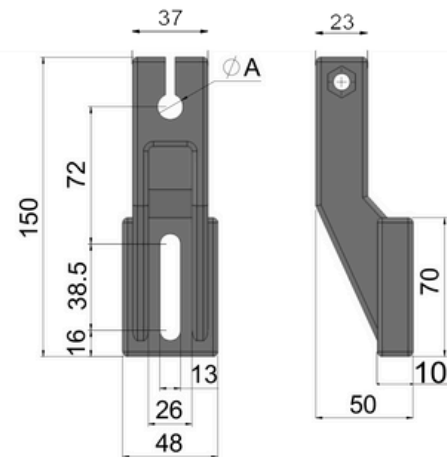
GUIDE ROD \varnothing A - 12 /14/16
PART NO . SB-AB-210
Material - Reinforced polyamide
Hardware - Stainless steel



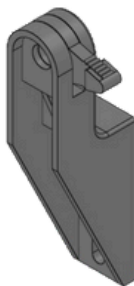
ALLEN BOLT BRACKET - SMALL



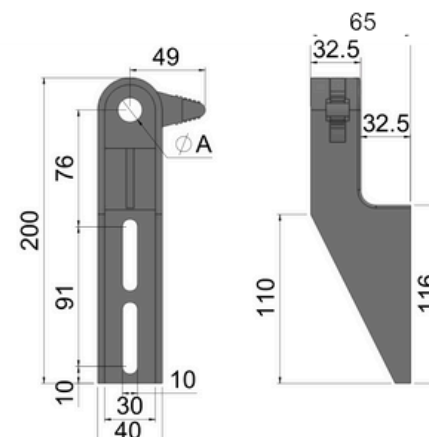
GUIDE ROD \varnothing A - 12 /14/16
PART NO . SB-AB-150
Material - Reinforced polyamide
Hardware - Stainless steel



LEVER BRACKET

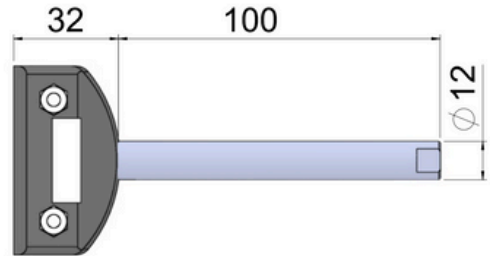
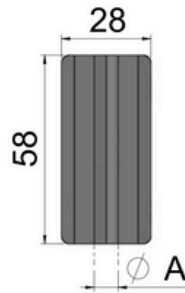


GUIDE ROD \varnothing A - 12 /14/16
PART NO . SB-LB-200
Material - Reinforced polyamide
Hardware - Stainless steel



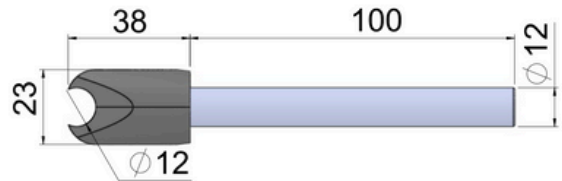
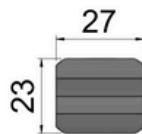


Guide Rail Clamp For Single Rod Holder



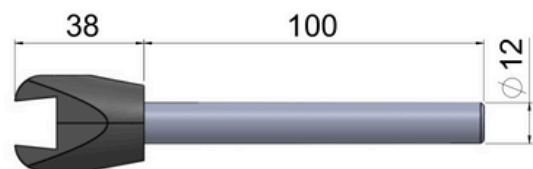
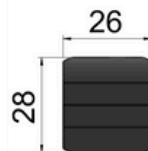
ROD ϕ A - ϕ 10, ϕ 12
PART NO . SRC - 5835
Material - Reinforced polyamide
Hardware - Stainless steel


Guide Rail Clamp For Single Rod Holder



PART NO . SRC - 2738
Material - Reinforced polyamide
Hardware - Stainless steel

Guide Rail Clamp For Mushroom Profile

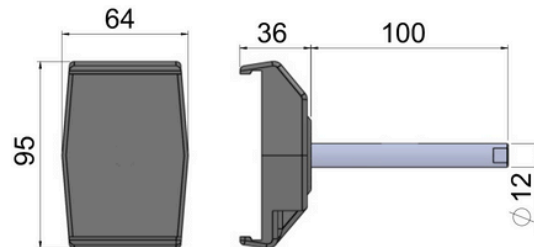


Profiles : 
PART NO . SRC - 2737
Material - Reinforced polyamide
Hardware - Stainless steel





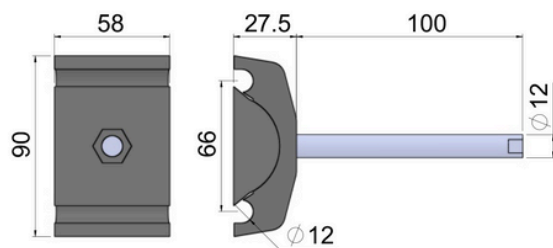
Guide Rail Clamp For "D" Profile



PART NO . SRC - 9764
Material - Reinforced polyamide
Hardware - Stainless steel

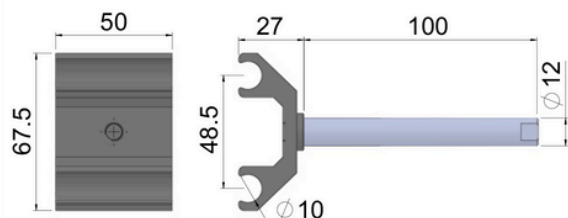
Guide Rail Clamp For Double Rod Holder (12mm)

(made of two piece construction)



PART NO . DRC - 9160
Material - Reinforced polyamide
Hardware - Stainless steel

Guide Rail Clamp For Double Rod (10mm)



PART NO . DRC - 6750
Material - Reinforced polyamide
Hardware - Stainless steel

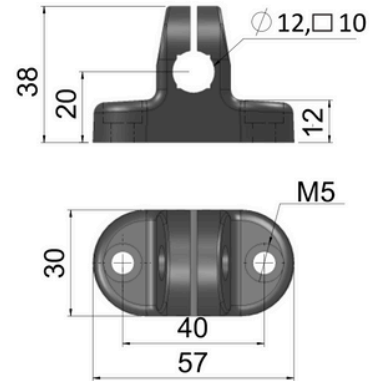




T Clamp



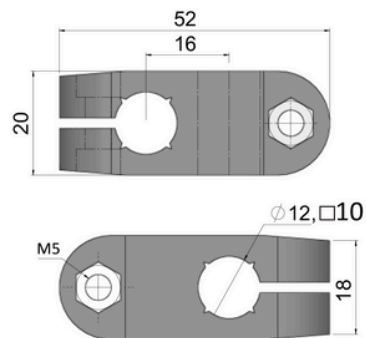
PART NO . TC5630
Material - Reinforced polyamide
Hardware - Stainless steel



Cross Clamp



PART NO . CC5220
Material - Reinforced polyamide
Hardware - Stainless steel



Sensor Clamp



PART NO . SC5830
Material - Reinforced polyamide
Hardware - Stainless steel

