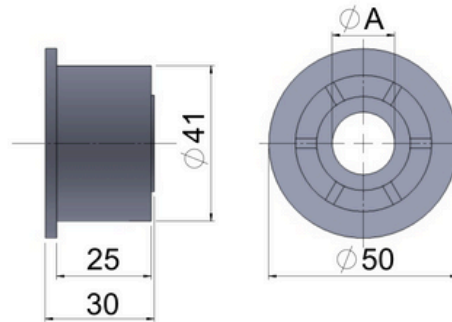
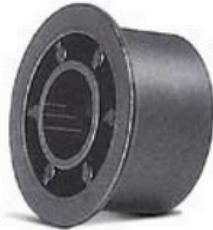


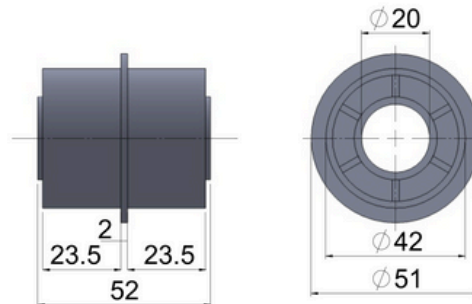


RR 5127



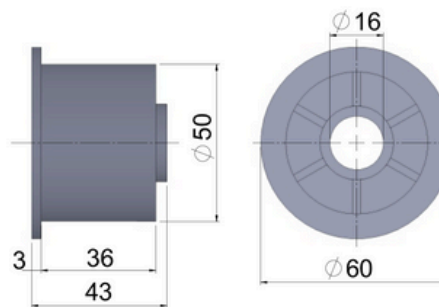
BORE ϕ A - ϕ 16, ϕ 20
PART NO . RR 5127
Material - PA6

RR 5051



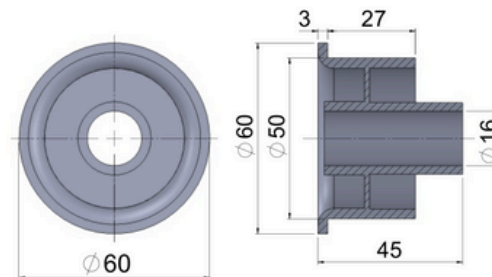
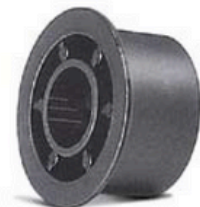
PART NO . RR 5051
Material - PA6

RR 6040



PART NO . RR 6040
Material - PA6

RR 6045

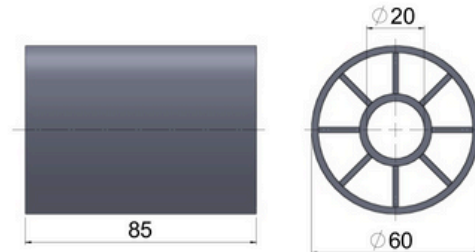


PART NO . RR 6045
Material - PA6



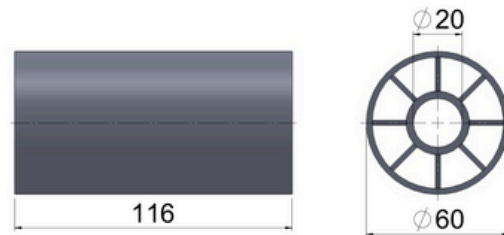


RR 6083



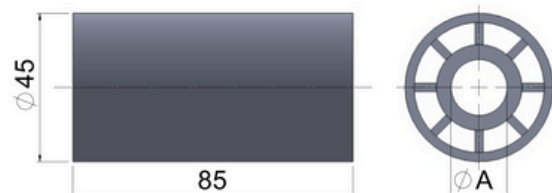
PART NO . RR 6083
Material - PA6
Available with cap

RR 60114



PART NO . RR 60114
Material - PA6
Available with cap

RR 4585

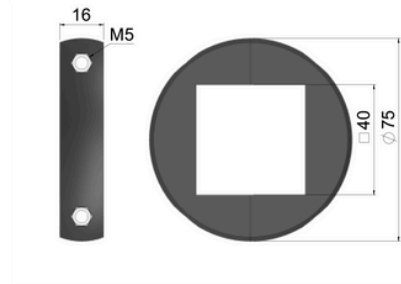


BORE ϕA - $\phi 16, \phi 20$
PART NO . RR 4585
Material - PA6



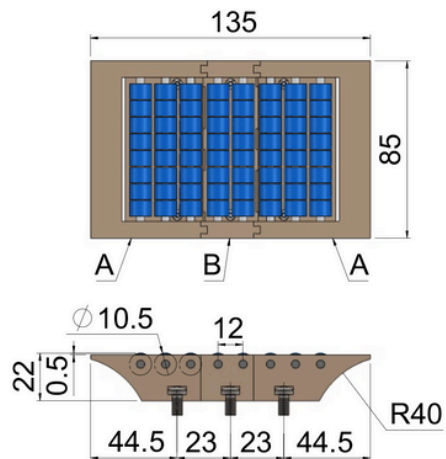


SPLIT COLLAR(SQUARE)



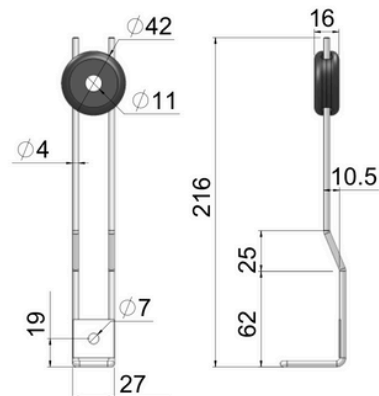
Material - PA6
Hardware - Stainless steel

TRANSFER PLATE



Material - POM
Hardware - Stainless steel

DRIP TRAY CLAMP



Material - PA6
Hardware - Stainless steel

