

DIMENSION	mm	inch
P	38.1	1.50
O	76.2	3.00
L	9.50	0.37
H	27.0	1.06
E	8.70	0.34
T	4.80	0.18
V	17.0	0.66
M	57.2	2.25
D	58	2.28

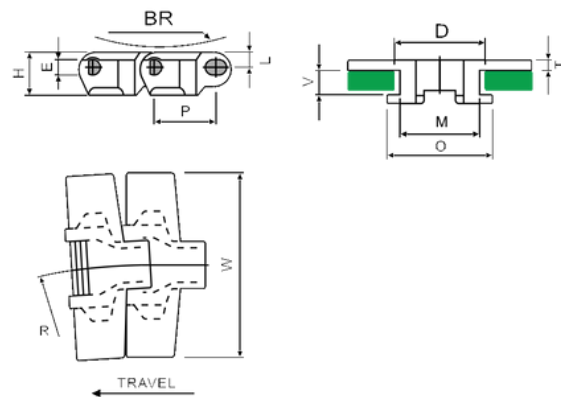


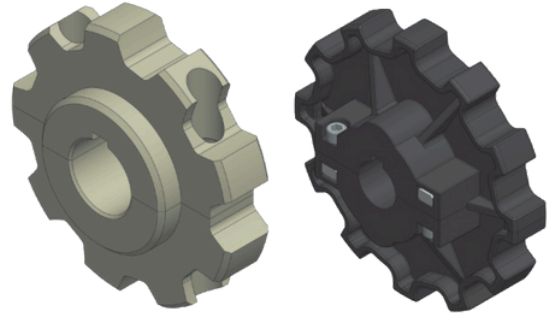
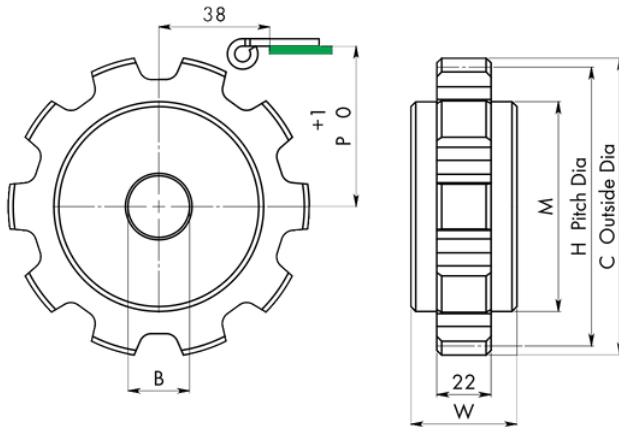
Plate Materials : polyacetal
Pin Material : Austenitic Steel

SP-882 TAB (Turning Plastic Chain)

	Width (W) (mm)	Width (W) (inch)	Working Load (N)	Radius(R) (mm)	Backflex Radius(BR) (mm)	Weight (kg/m)
SP-882 TAB K600	152.4	6.0	3830	610	40	2.10
SP-882 TAB K750	190.5	7.5	3830	610	40	2.47
SP-882 TAB K1000	254.0	10	3830	610	40	2.87
SP-882 TAB K1200	304.8	12	3830	610	40	3.41

standard length : 80 pitches (10 feet - 3.048 m)





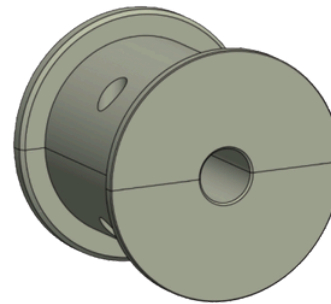
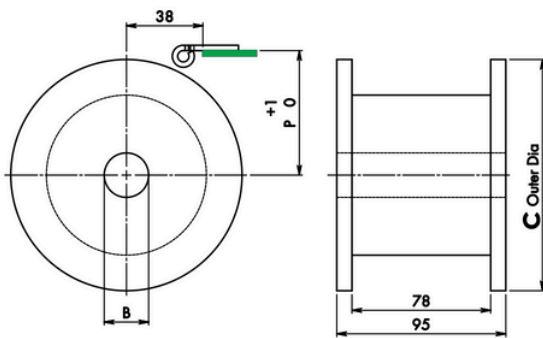
WIDTH (W)- 42.5 mm FOR M/C SPROCKET ,M/C SPLIT SPROCKET
AND 56 mm FOR MOULDED SPLIT SPROCKET

MATERIAL : POLYAMIDE

SP-882 TAB (SPROCKET)

CODE	TEETH (Z)	C	H	P	M	M/C	M/C SPLIT	MOULDED SPLIT
					M/C & M/C SPLIT			
SP-882 TAB S 9	9	112.0	111.4	60.5	60	■	■	
SP-882 TAB S 10	10	125.0	123.2	66.4	75	■	■	■
SP-882 TAB S 11	11	137.0	135.2	72.4	85	■	■	
SP-882 TAB S 12	12	149.3	147.2	78.4	90	■	■	■

BORE (B) - Ø 25,30,35,40



MATERIAL : POLYAMIDE

SP-882 TAB (IDLER)

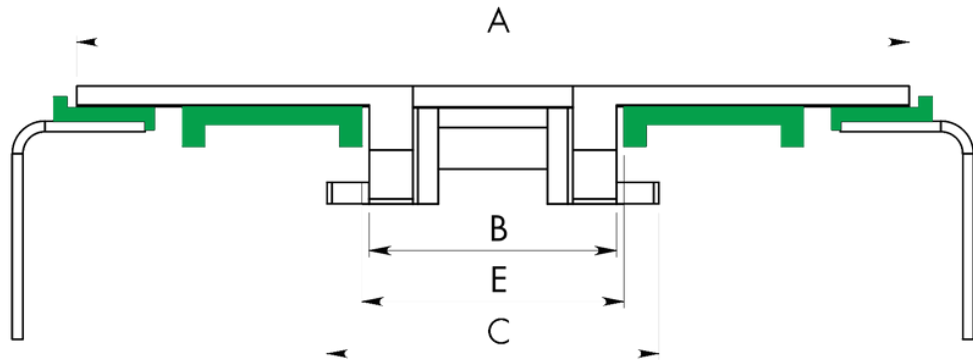
CODE	TEETH Z	C	P	M/C	M/C SPLIT
SP-882 TAB I 9	9	117.0	63.8	■	■
SP-882 TAB I 10	10	129.8	69.5	■	■
SP-882 TAB I 11	11	142.2	75.9	■	■
SP-882 TAB I 12	12	154.7	82.1	■	■

BORE (B) - Ø 25,30,35,40





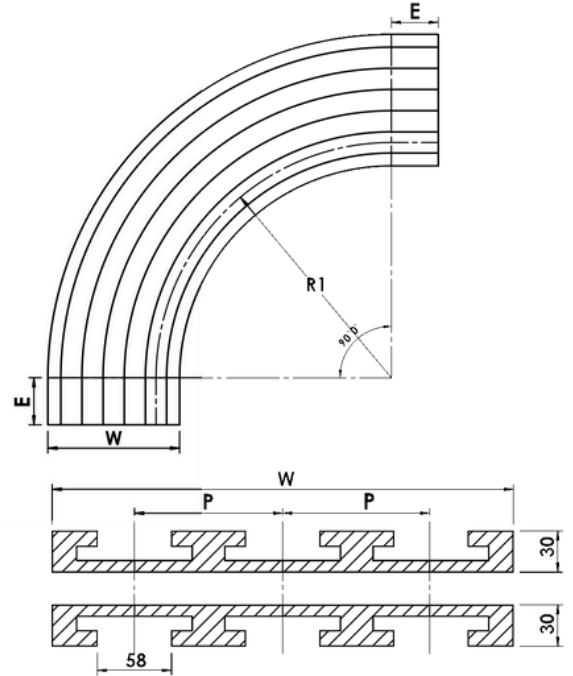
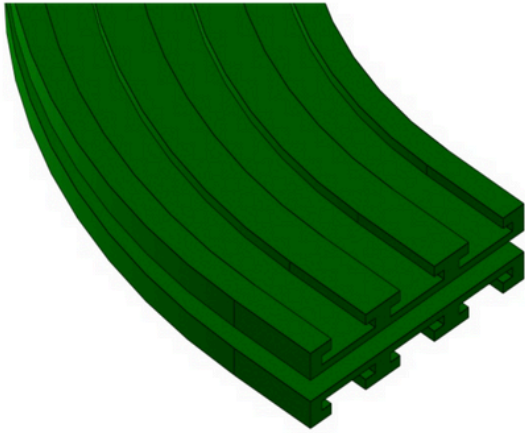
CHAIN POSITIONING FOR SINGLE ROW



SP-882 TAB (CHAIN POSITION)

CHAIN CODE	A	B	C	E
SP-882 TAB K600	152.4	57.2	76.2	60
SP-882 TAB K750	190.5	57.2	76.2	60
SP-882 TAB K1000	254	57.2	76.2	60
SP-882 TAB K1200	304.8	57.2	76.2	60





Material : UHMWPE

Color : ●●

SP-882 TAB CORNER TRACK

Chain Type	Tracks	Width (W)
K450 PITCH (P) - 120 mm RADIUS (R1) - 610, 650,800,1000 E = 50 & 100 mm	1	130
	2	250
	3	370
	4	490
	5	610
	6	730

Chain Type	Tracks	Width W
K750 PITCH (P) - 195 mm RADIUS (R1) - 610, 650,800,1000 E = 50 & 100 mm	1	200
	2	395
	3	590
	4	785

Chain Type	Tracks	Width W
K1000 PITCH (P) - 260 mm RADIUS (R1) - 610, 650,800,1000 E = 50 & 100 mm	1	270
	2	530
	3	790
	4	1050

Chain Type	Tracks	Width W
K1200 PITCH (P) - 310 mm RADIUS (R1) - 610, 650,800,1000 E = 50 & 100 mm	1	320
	2	630
	3	940
	4	1250

Total track width = (p x (no.of track -1))+ Basic width
 Basic width = single track width

