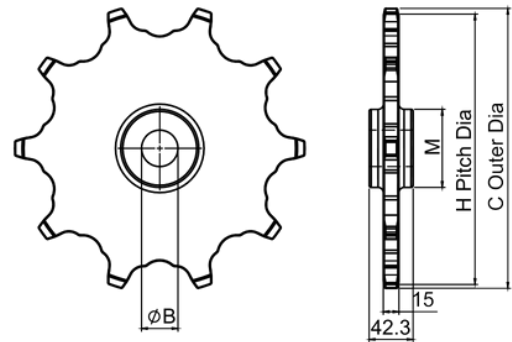


DIMENSION	mm	inch
P	82.5	3.25
H	38.0	1.49
T	19.0	0.75
M	53.0	2.09

Plate Materials : polyacetal
Pin Material : Austenitic steel

SP-CC1400 (Crate Chain)

	Width W		Sideflex Radius (Rs)		Backflex Radius (Rb)		Weight (kg/m)
	(mm)	(inch)	(mm)	(inch)	(mm)	(inch)	
SP-CC1400	50.0	1.97	660	25.98	50	1.97	1.70



TEETH (Z)	C	H	M	M/C
6	177.0	164.5	63.0	■
8	227.6	215.2	75.0	■
10	279.0	266.7	75.0	■

BORE (B) - Ø 25,30,35,40

