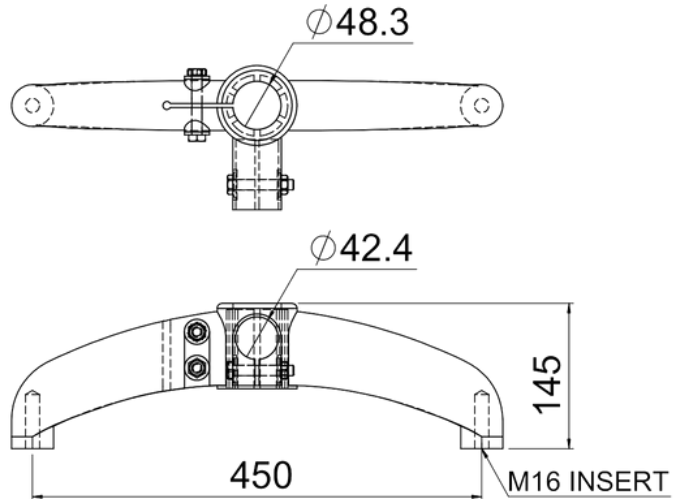


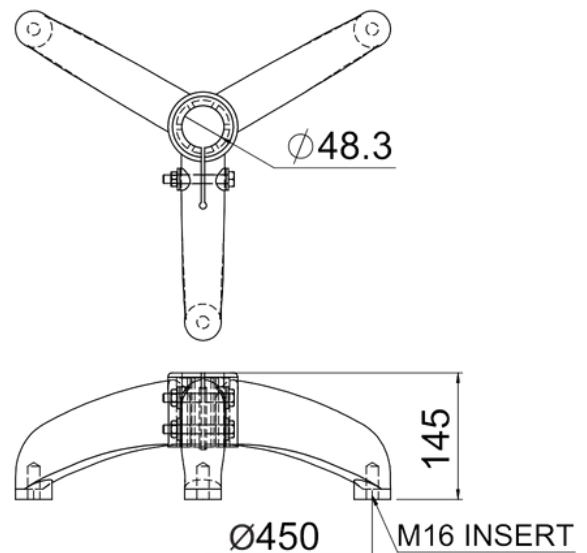


## BIPOD



PART NO . SBT - 248  
Material - Reinforced polyamide  
Hardware - Stainless steel  
Suitable tubes -  $\text{Ø}48.3$  mm  
Cross tubes -  $\text{Ø}42.4$  mm  
Max applicable load - 8000 N

## TRIPOD



PART NO . SBT - 348  
Material - Reinforced polyamide  
Hardware - Stainless steel  
Suitable tube -  $\text{Ø}48.3$  mm  
Max applicable load - 10000 N

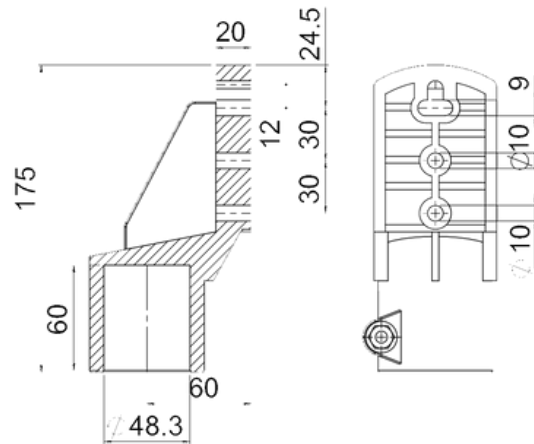




SIDE MOUNTING TOP BRACKET



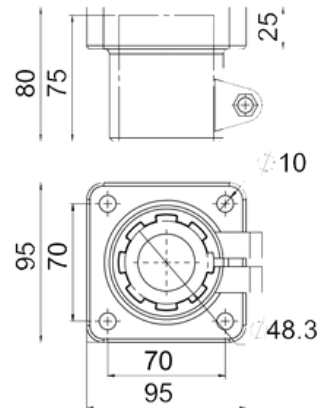
PART NO . SMB - 5664  
Material - Reinforced polyamide  
Hardware - Stainless steel  
Suitable tube - Ø48.3 mm



SUPPORT HEADS



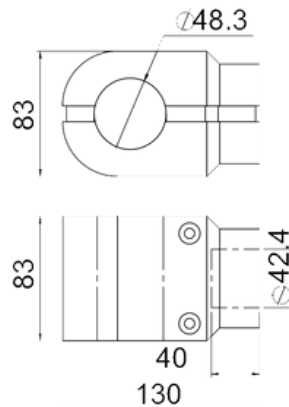
PART NO . SSH - 9595  
Material - Reinforced polyamide  
Hardware - Stainless steel  
Suitable tube - Ø48.3 mm



CONNECTING JOINT

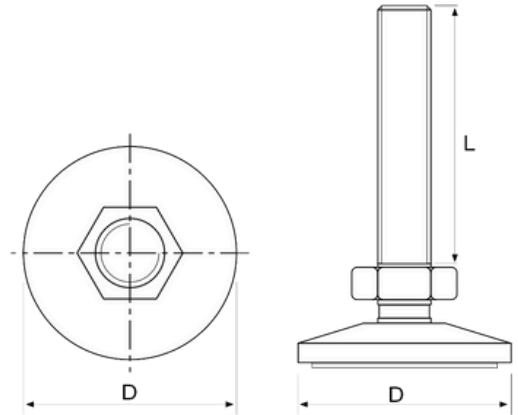


PART NO . SCJ - 1284  
Material - Reinforced polyamide  
Hardware - Stainless steel  
Suitable tube - Ø48.3 mm  
Cross tube - Ø42.4 mm





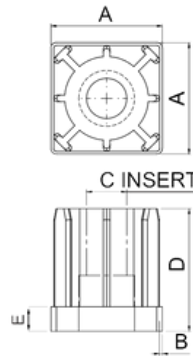
ARTICULATED LEGPAD



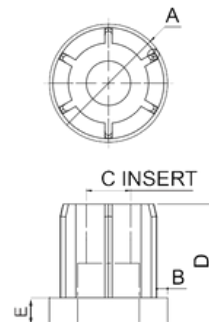
LEG PAD BASE (D)- 80,100,125  
PART NO . ALP - 1680,16100,16125  
CUSTOM PART NO - (AD)  
Material - Reinforced polyamide  
Hardware - Stainless steel  
Max applicable load - 10000 N

Stud Size (A)	Stud Length(B) /Thread Length (L) (mm)						
	100/75	125/96	138/108	150/120	175/145	200/175	225/195
M10	■						
M12	■			■			
M16	■	■	■	■	■	■	■
M20	■				■		■

ADAPTORS- SQUARE & ROUND



A	B	C	D	E
30X30	1.5	M16,M12	44	9
40X40	1.2	M16	44	9
50X50	1.5	M16,M20	43	9
60X60	3	M20	44	10



ØA	B	C	D	E
38	1.2	M16	48.5	10.5
50	2.5	M16	48.5	9.5

